

## G23B Series

Motor electronic lock for onboard AC charging socket



### ■ Features

- High-density sealed motor electronic lock meeting IP54 requirements
- Reliable locking, manual and automatic unlocking
- Accurate locking or unlocking positioning and clear gear
- The motor electronic lock is sensitive to forward and reverse conversion, with long service life and stable and reliable.

### ■ Application

- ◆ Charging Gun

### ■ Parameters:

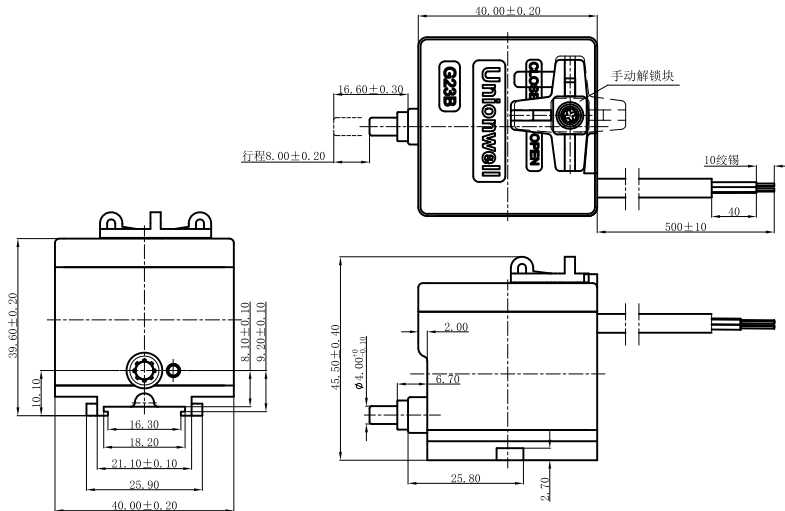
Rated voltage	12VDC (pulse)	
Voltage range	12±10% VDC.	
Idling current	≤50mA	
Locked-rotor current	≤500mA	
Response time	≤100mS	
Maximum power on time	3S (No long time conduction)	
Locking time	≤300mS	
Unlocking time	≤300mS	
Triggering time at 12VDC	0.25S<t<1S	
Functional angle	≤90°	
Insulation Resistance	100MΩ Min	
Dielectric Strength	500VAC (50~60Hz)	
Degree of Protection	IECIP54 Except driving wheel and push rod active cavity	
Operating Temperature	-40°C~+85°C	
Operating Humidity	45%RH~85%RH	
Service Life	Electrical	30,000 cycles
	Mechanical	30,000 cycles (Min.)
Operating Frequency	Electrical	18 cycles/min
	Mechanical	18 cycles/min
Operating Features (At 12VDC)	HF	300g (Min.)
	Fracture Force	200N
	PT	8.0mm±0.20mm
	OF	300g.cm (Min.)

## G23B Series Motor Electronic Lock Ordering Model Guide

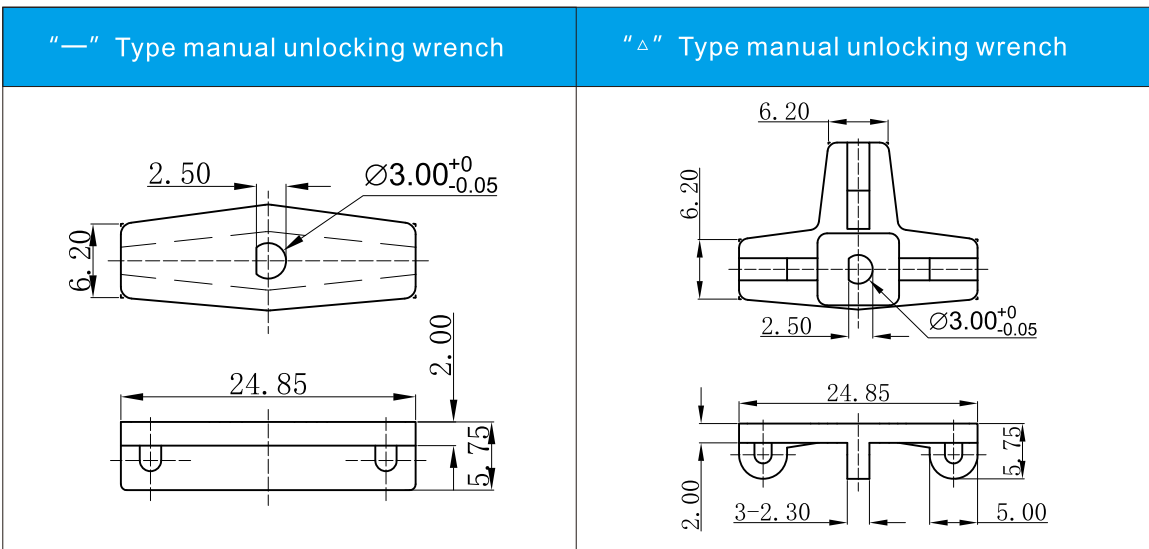
G23B		500	A	B	1	A	300	T001	U
Electronic Lock Series	Torque	Terminal Spec.	Feedback Switch Function	Manual Unlocking Knob Type	Wire Type	Wire Length	Custom Code	LOGO	
G23B Series Motor Electronic Lock	50 0	A 26# AWG	A NC	00 None	A UL2464	000 None	General	U Unionwell	
	... Other	B 24# AWG	B NO	01 Triangle knob	B UL2463	300 300mm Wire Length Motor Positive Red Wire Negative Black Feedback switch COM terminal with blue wire and NC terminal with green wire (NO terminal with orange wire)	Customized according to requirements, the code format is T_XXX, for example: T001	... Other	
		C 22# AWG	C (DT)	02 “_” Type manual unlocking wrench	C UL2096	500 500mm Wire Length Motor Positive Red Wire Negative Black Feedback switch COM terminal with blue wire and NC terminal with green wire (NO terminal with orange wire)	Other		
		D 20# AWG	... Other	... Other	D UL2099	... Other			
	... Other	... Other		... Other	... Other				

## Basic overall dimensions and installation dimensions

### G23B

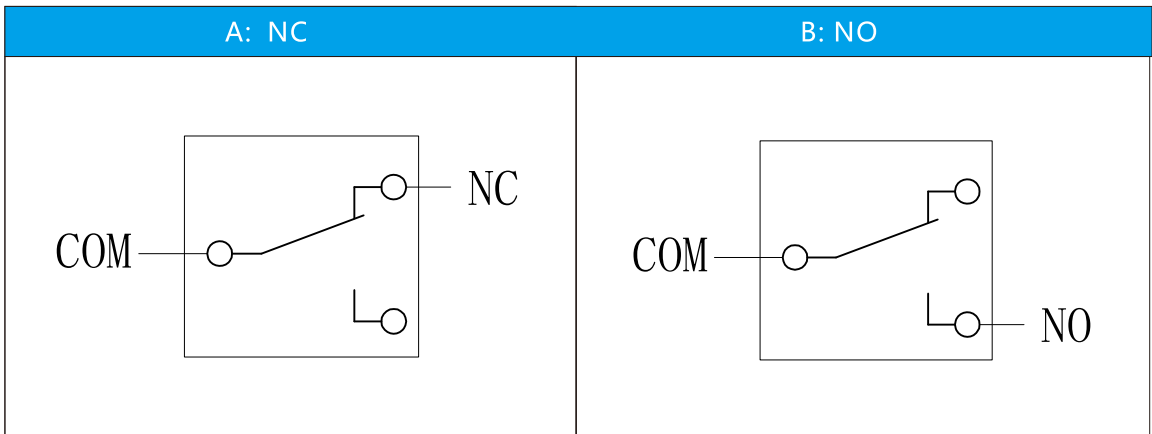


## Manual unlocking wrench type



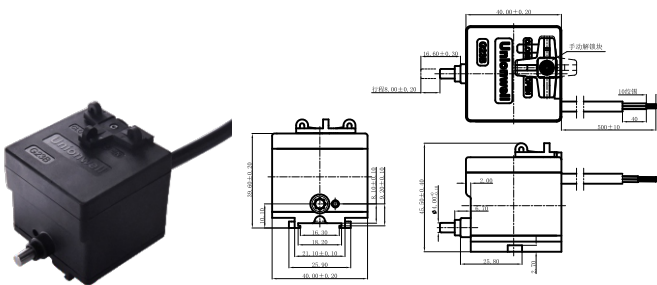
# Unionwell

## Feedback Switch Function/Mechanical Switch



## Dimensions and Operating Characteristics

◆ G23B-500BA01A300U



HF	PT	Rotary Shaft Strength	OF
30N.cm (Min)	8.0±0.2 (mm)	200N Vertical Axial Force Without Mechanical Damage	50N.cm (Min)